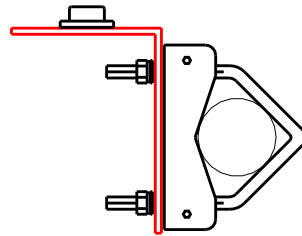
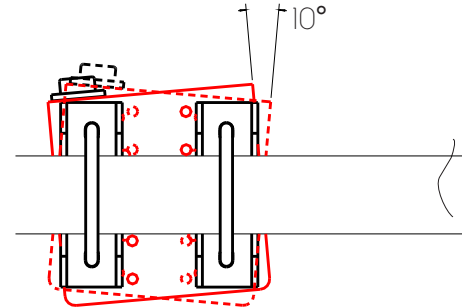




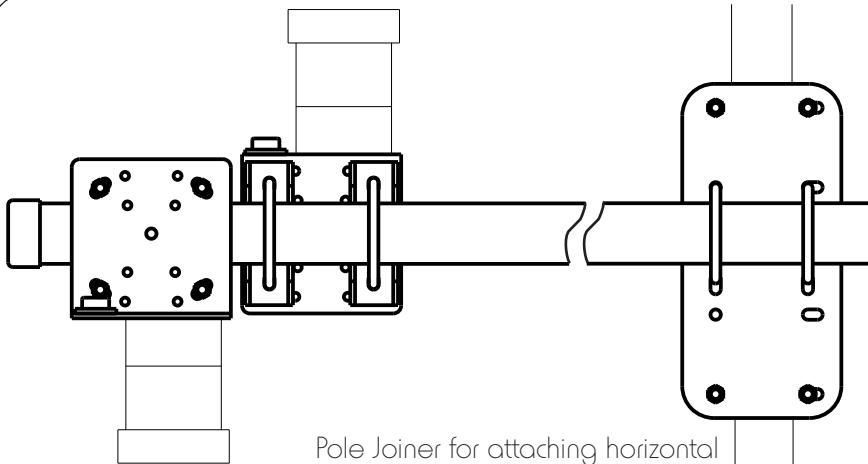
SKM 234 HORIZONTAL MOUNT FOR INCIDENT & REFLECTED SENSORS



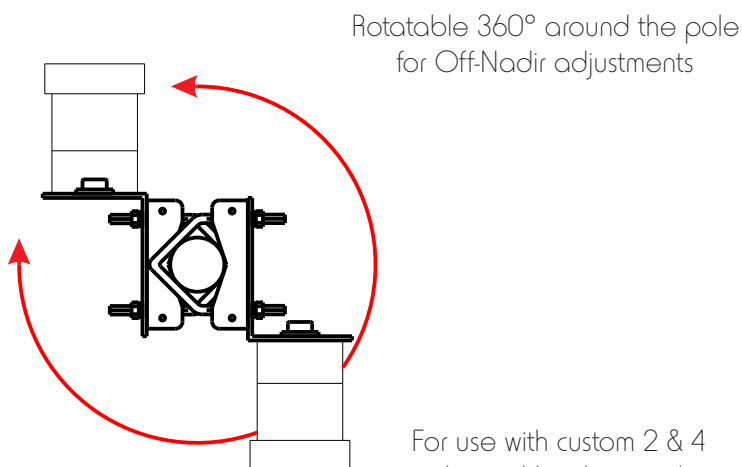
Rotatable 360°
Around pole



+/- 5° tilt for levelling
with levelling bubble for indication



Pole Joiner for attaching horizontal
pole to vertical mast/pole



Rotatable 360° around the pole
for Off-Nadir adjustments

For use with custom 2 & 4
channel Incident and
Reflected light sensors

ORDERING INFORMATION

SKM 234 - each system includes:

- 1 x 1m Horizontal Pole (ACC/IIA-I)
- 1 x Pole Joiner (SKM 233)
- 2 x Light Sensor Horizontal Pole Mount (SKM 232)

Can be used with any Custom Multi Channel or HOPL sensors:

- SKL 2600 series
- SKR 1840 series
- SKR 1860 series

Weight - 3KG (excluding sensors)

Skye Instruments Ltd

21, Ddole Enterprise Park, Llandrindod Wells, Powys LD1 6DF, United Kingdom

TEL: +44 (0)1597 824811 EMAIL: skyeemail@skyeinstruments.com WEB: www.skyeinstruments.com

Issue 1.0