



WATER & AIR

Radiation Screens



Suitable for rht+ probes



Essential for accurate air temperature measurements



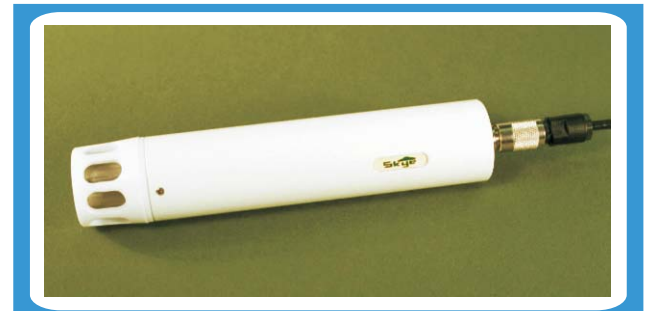
Naturally aspirated



Quick and easy push fit probe insertion



Includes mounting arm for wall or mast



SKRS 085C



SKRS 085S



SKRS 085D

In order to make accurate air temperature measurements outdoors, it is essential to screen the sensor from the warming effects of solar radiation. This range of radiation screen offers both naturally aspirated radiation shielding and physical protection from extreme weather conditions.

Skye have been designing and manufacturing such screens since 1986, these latest models are ideal for use with the new **rht+** RH and temperature probes.

The carefully designed profile and spacing of the screen 'dishes' ensures free air flow across the sensor tip for fast

response time whilst blocking both direct and all round reflected radiation. The dish material is high quality white ASA polymer for maximum reflectivity, low thermal conductivity and high UV resistance to weathering.

To install, probes are simply pushed up into the screen and held firmly in place by a silicon 'O' seal. There are no clamps or glands to tighten, making changeover of sensors quick and easy for regular maintenance programs.

Skye offer 3 sizes of radiation screens, each with a different number of 'dishes' to suit every budget and application. The

standard SKRS 085S screen has 12 dishes suitable for most installations. The SKRS 085D high accuracy model with 15 dishes is more appropriate to very high radiation areas, whilst the low profile SKRS 080C model has just 9 dishes. This smaller model is only advised for use in very windy sites where the high air flow will compensate for the reduced screening.

All radiation screens are supplied with a mounting arm and fixings for masts up to 38mm diameter, or they can be bolted to any flat, vertical wall or surface.



CONSTRUCTION

Screen Dishes

Probe fixing

Mounting arm

Mast fixings

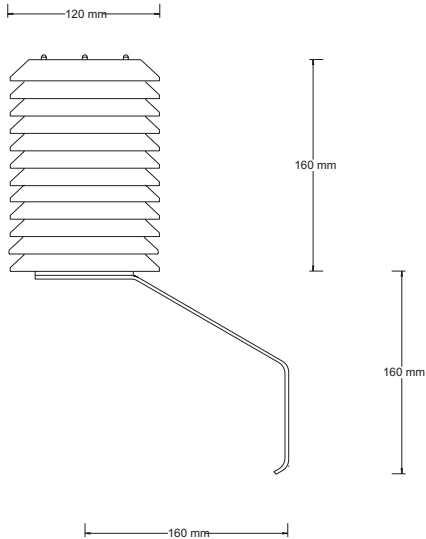
High quality, UV resistant ASA Polymer

UV resistant silicon gasket
Hole diameters 40mm or 29.5mm

White painted aluminium

'U' shaped stainless steel bolt (ID 38mm), washers, nuts and end covers

RADIATION SCREEN



SKRS 085S Radiation screen

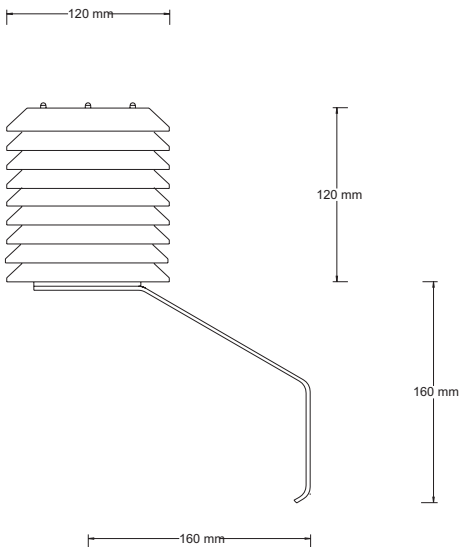
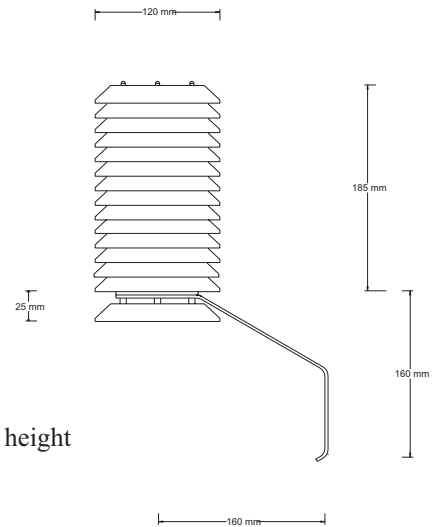
Suitable for standard installations

Total dishes 12
Dishes above sensor tip 3
Internal aperture 40mm diameter x 135mm height

SKRS 085D Radiation screen

High accuracy for high radiation environments

Total dishes 15
Dishes above sensor tip 4
Internal aperture 40mm diameter x 148mm height



SKRS 085C Radiation screen

Low profile for very windy sites

Total dishes 9
Dishes above sensor tip 2
Internal aperture 40mm diameter x 110mm height

SKYE INSTRUMENTS LTD

21, Ddole Enterprise Park, Llandrindod Wells, Powys, LD1 6DF, UK

Tel: +44(0)1597 824811 Fax: +44(0)1597 824812

Email: skyeemail@skyeinstruments.com Web: www.skyeinstruments.com

