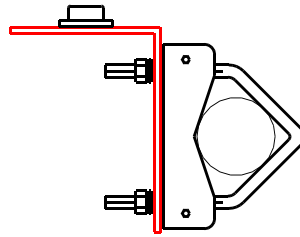
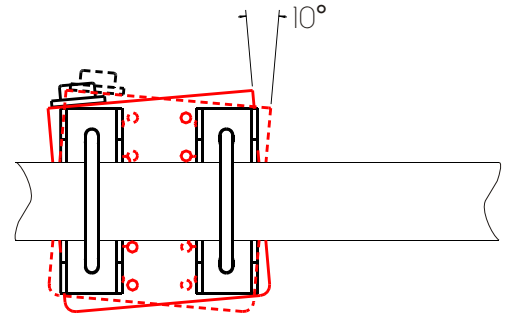




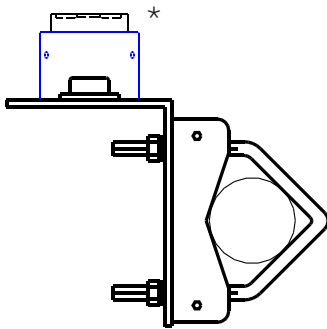
# SKM 232 Series - Single Light Sensor Horizontal Pole Mount



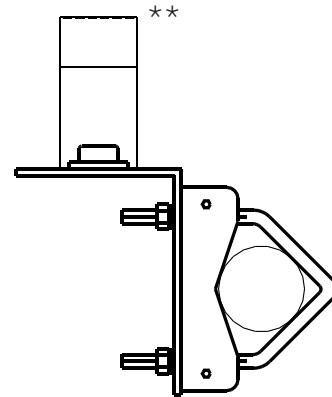
Rotatable 360°  
Around pole



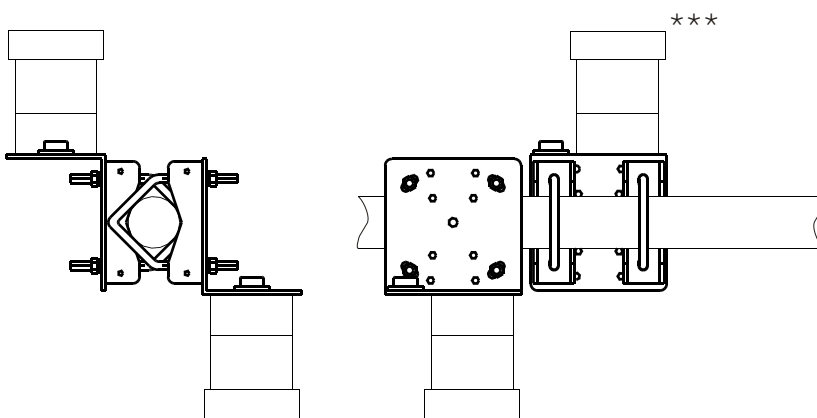
+/- 5° tilt for levelling  
with levelling bubble for indication



SKM232 + ACC/29 (Light sensor holder)  
For use with Single channel light sensors



SKM232  
For use with UV & HOPL light sensors



SKM232 x 2  
For Incident and Reflected measurement  
With custom channel light sensors

## SKM 232 DETAILS

Height - 110mm

Width - 100mm

Depth - 120mm

Weight - 305g (excluding sensors)

Capacity -

\* 1 Single channel light sensor  
when used with ACC/29

\*\* 1 UV or HOPL

\*\*\* 1 custom channel light sensor  
per basket

## Skye Instruments Ltd

21, Ddole Enterprise Park, Llandrindod Wells, Powys LD1 6DF, United Kingdom

TEL: +44 (0)1597 824811 EMAIL: skyemail@skyeinstruments.com WEB: www.skyeinstruments.com